



contador\_bcd7seg\_usb6008.vi

D:\cinel3\exerc\_labview\contador\_bcd7seg\_usb6008.vi

Last modified on 07-11-2010 at 1:10

Printed on 07-11-2010 at 2:30

### contador\_bcd7seg\_usb6008.vi



valor corrente

0

D



C



B

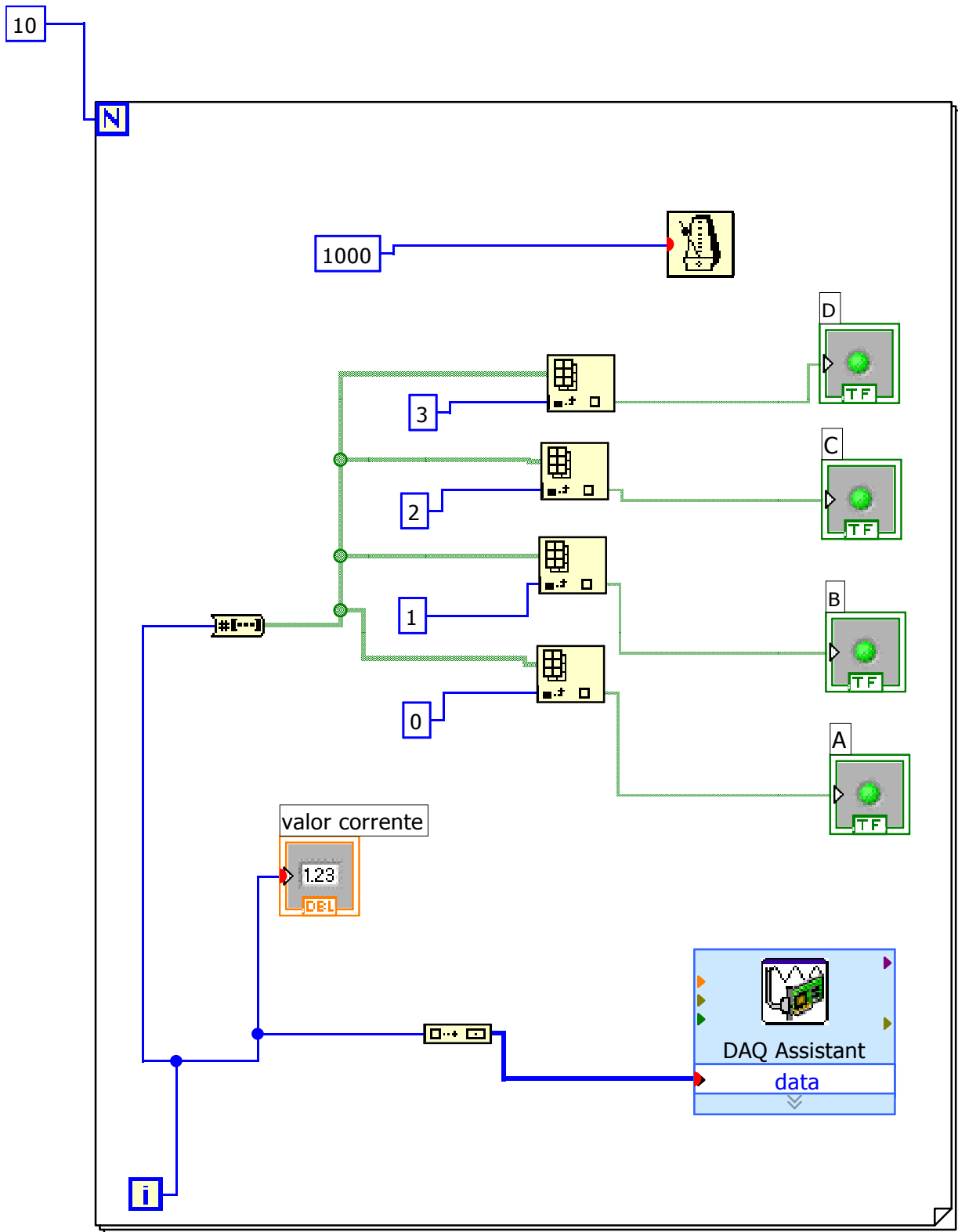


A





contador\_bcd7seg\_usb6008.vi  
D:\cinel3\exerc\_labview\contador\_bcd7seg\_usb6008.vi  
Last modified on 07-11-2010 at 1:10  
Printed on 07-11-2010 at 2:30





contador\_bcd7seg\_usb6008.vi

D:\cinel3\exerc\_labview\contador\_bcd7seg\_usb6008.vi

Last modified on 07-11-2010 at 1:10

Printed on 07-11-2010 at 2:30



### **DAQ Assistant**

DAQ Assistant

Creates, edits, and runs tasks using NI-DAQmx. Refer to the DAQ Quick Start Guide for information on devices supported by NI-DAQmx.

When you place this Express VI on the block diagram, the DAQ Assistant launches to create a new task. After you create a task, you can double-click the DAQ Assistant Express VI in order to edit that task. For continuous measurement or generation, place a loop around the DAQ Assistant Express VI.

For continuous single-point input or output, the DAQ Assistant Express VI might not provide satisfactory performance. Refer to `examples\DAQmx\Analog In\Measure Voltage.llb\Cont Acq&Graph Voltage-Single Point Optimization.vi` for techniques to create higher-performance, single-point I/O applications.